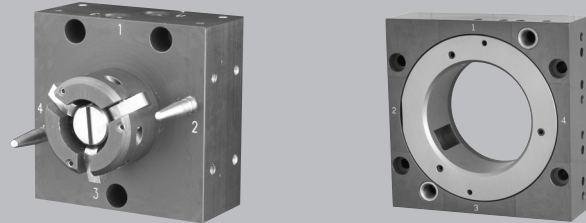


MXC20 Quick Connect

QuickConnect modular connection systems are designed for automated equipment that requires frequent connection and disconnection of utilities.



Features and Benefits

- The family of QuickConnect system is the most flexible connection system on the market.
- 4 open module locations are provided for custom configuration of the MXC20 for your application.

Utility Capabilities

- Pneumatics
- Vacuum
- Communications
- Control Logic
- Video

Applications

- Test Benches
- Robotic Tool Changing
- Power clamps and work holding fixtures
- Rotary Turntables
- Docking Systems

Not exactly what your application requires? Applied Robotics can design a solution that meets your particular application needs.

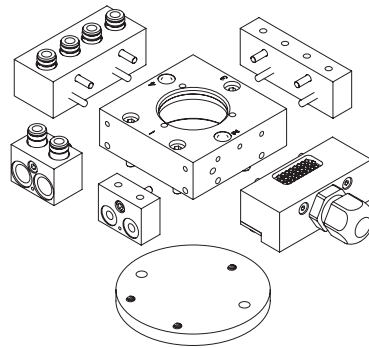
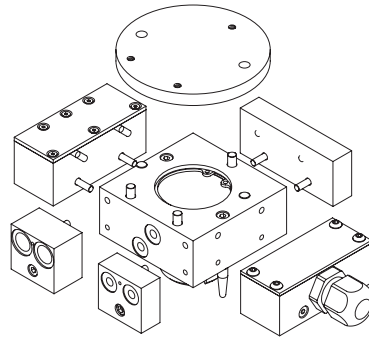
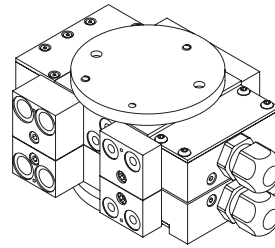
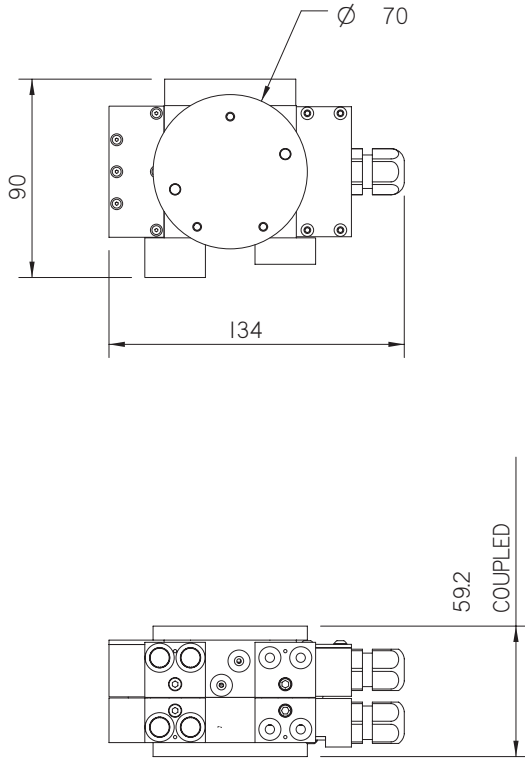
SPECIFICATIONS

	MASTER ADAPTER	TOOL ADAPTER
Payload	20 kg/44 lb	
Moment - Mx, My	29 N-m/256 in-lb	
Moment - Mz	34 N-m/300 in-lb	
Height	26 mm	20.5 mm
Width x Length	60 mm x 60 mm / 1.02 in x 2.36 in x 2.36 in	60 mm x 60 mm / .81 in x 2.36 in x 2.36 in
Weight	0.28 kg/.62 lb	0.15 kg/.33 lb
Couple/Uncouple Port	M5	na
Repeatability - X,Y	+/-0.025 mm/.001 in	
Repeatability - Z	+/-0.025 mm/.001 in	
Operating Temperature	5- 60 Deg C/41 -140 Deg F	
Operating Pressure	6 bar +/- 1 (87+/- 15 psi)	

Note: Specifications provided are maximum recommended limits under static conditions. For correct product sizing, consideration must be given to all applicable dynamic forces, including manipulator inertia, tooling configuration and external process forces.

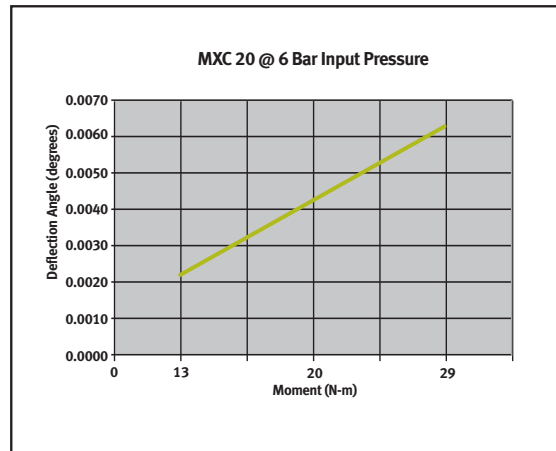
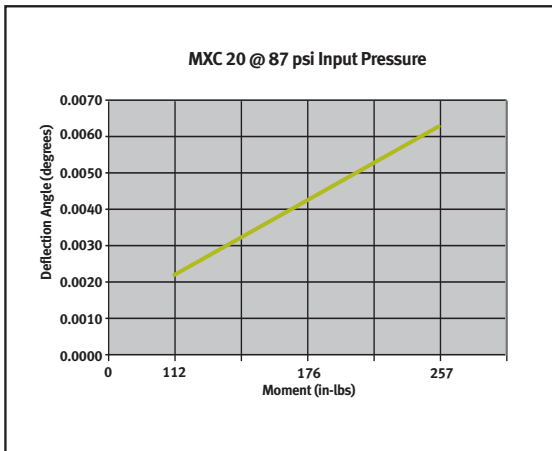
Note: For correct product sizing, please contact our Tech Support staff at techsupport@arobotics.com or via telephone at (800)309-3475 in NY or in MI at (248)358-3677.

Engineering Data



All dimensions in millimeters

Moment Charts



648 Saratoga Road
 Glenville, NY 12302 USA
 518 384 1000 tel
 518 384 1200 fax

29193 Northwestern Hwy. #509
 Southfield, MI 48034 USA
 248 358 3677 tel
 248 358 2654 fax

www.arobotics.com

